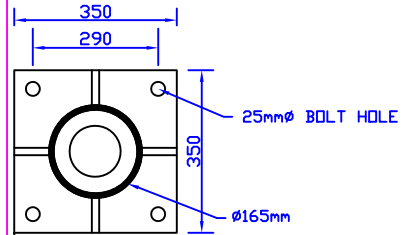
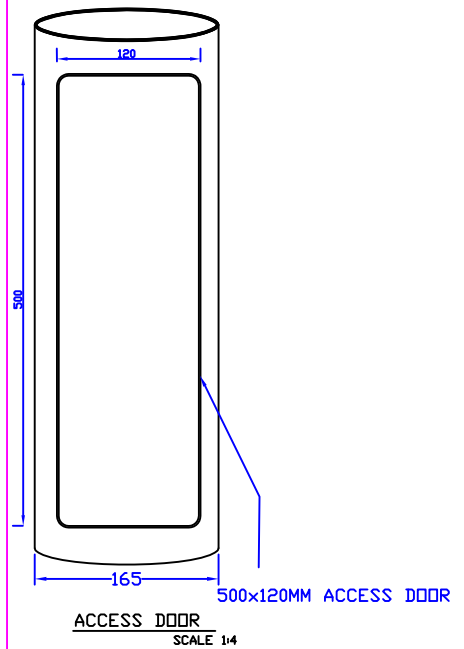


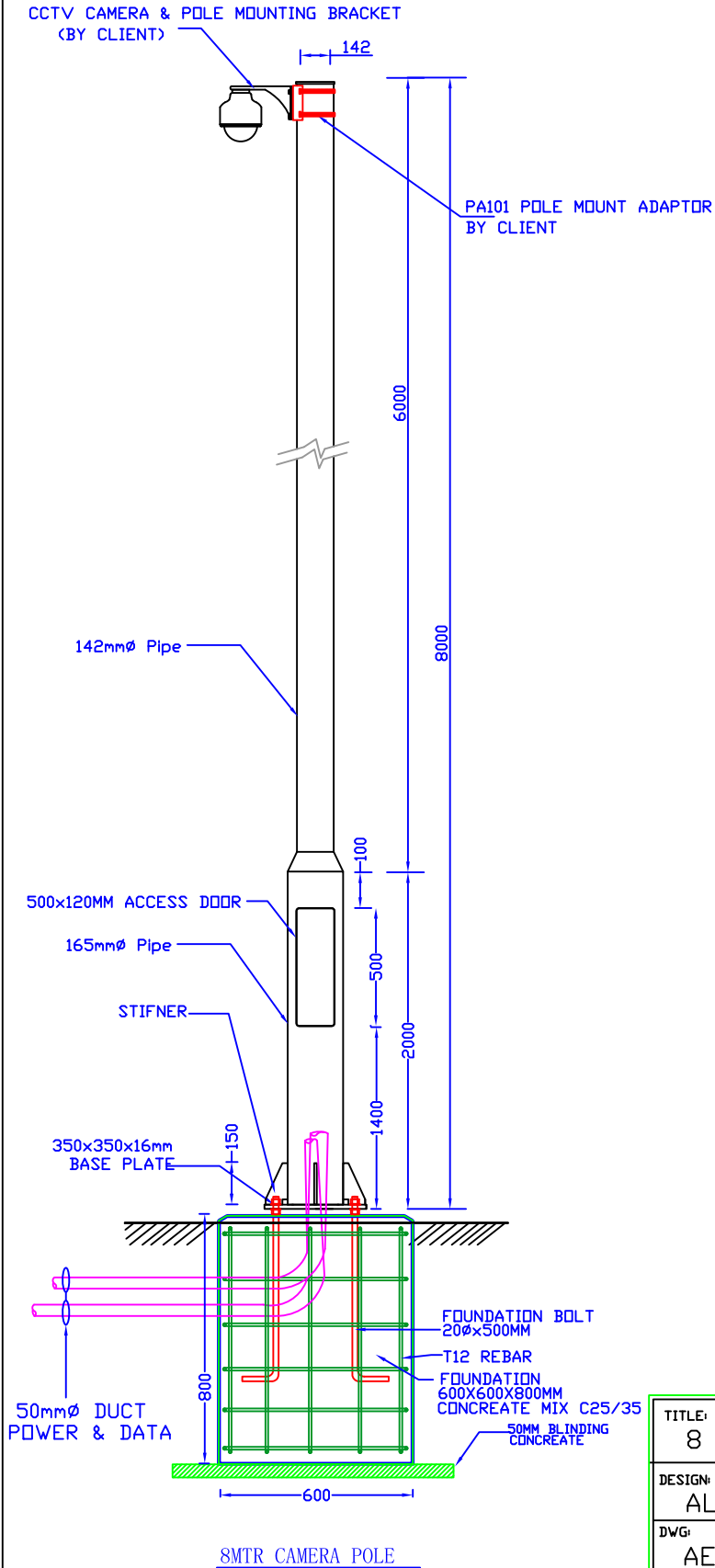
PA101 POLE MOUNT ADAPTOR



BASE PLATE



POLE HEIGHT : 8000 mm
POLE BOTTOM DIAMETER : 165 ϕ mm POLE TOP DIAMETER : 142 ϕ mm
BASE PLATE : 350 x 350 x 16 mm
POLE THICKNESS : 3-9 mm
J BOLT : M20 X 500 mm
ACCESS DOOR : 500 X 120 mm
RECOMMENDED FOUNDATION : 600X600X800 mm
FINISH : HOT DIP GALVANIZED



TITLE: 8 MTR CAMERA POLE
DESIGN: ALAINA ENGINEERING SERVICES WLL
DWG: AES-A-165/142/8M
SCALE : NTS