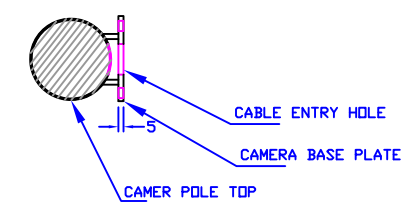
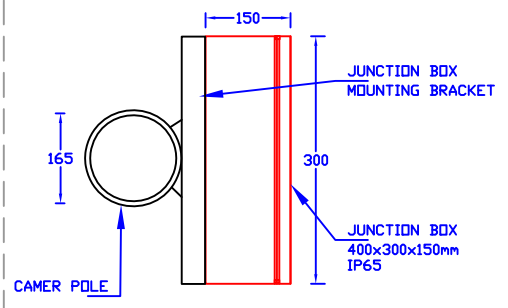


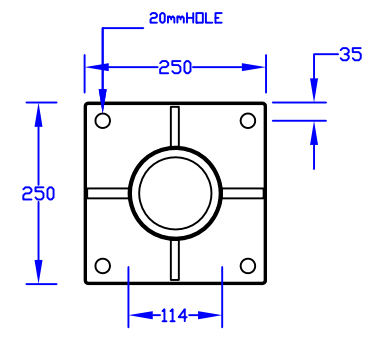
TOP CLOSED  
 CAMERA BASEPLATE  
 DIRECTION CAN BE CHANGED AS PER  
 CAMERA VIEW DIRECTION



SECTION B-B SCALE 1:2



SECTION C-C SCALE 1:2



BASE PLATE SECTION A-A

POLE HEIGHT : 4000 mm
POLE DIAMETER : 165 $\phi$ mm
BASE PLATE : 250 x 250 x 12 mm
POLE THICKNESS : 3-9 mm
J BOLT : M20 X 400 mm
ACCESS DOOR : 150 X 90 mm
RECOMMENDED FOUNDATION : 500 X 600 mm
FINISH : HOT DIP GALVANIZED

TITLE:	4 MTR CAMERA POLE
DESIGN:	ALAINA ENGINEERING SERVICES WLL
DWG#:	AES-A-165/4M
SCALE:	SCALE-NTS

4000

(B) (B)

(C) (C)

(A) (A)

1200

700

250

CABLE ENTRY TO J.BOX

J.BOX 400X300X150 IP65

J.BOX MOUNTING BRACKET FIXETION

ACCESS DOOR 150x90mm

BASE PLATE 250x250x12mm

FOUNDATION BOLT 20 $\phi$  X 400 MM

T12 REBAR @100-150MM SPACING

GI BOXED PRECAST FOUNDATION C40 CONCRETE WATER PRROF/PAINTING (BY CIVIL TEAM)

50mmDIA POWER AND DATA DUCT

50MM BLINDING CONCRETE

150

400

90

150

20mmHOLE

250

35

250

114

600

500

12

165mm POLE